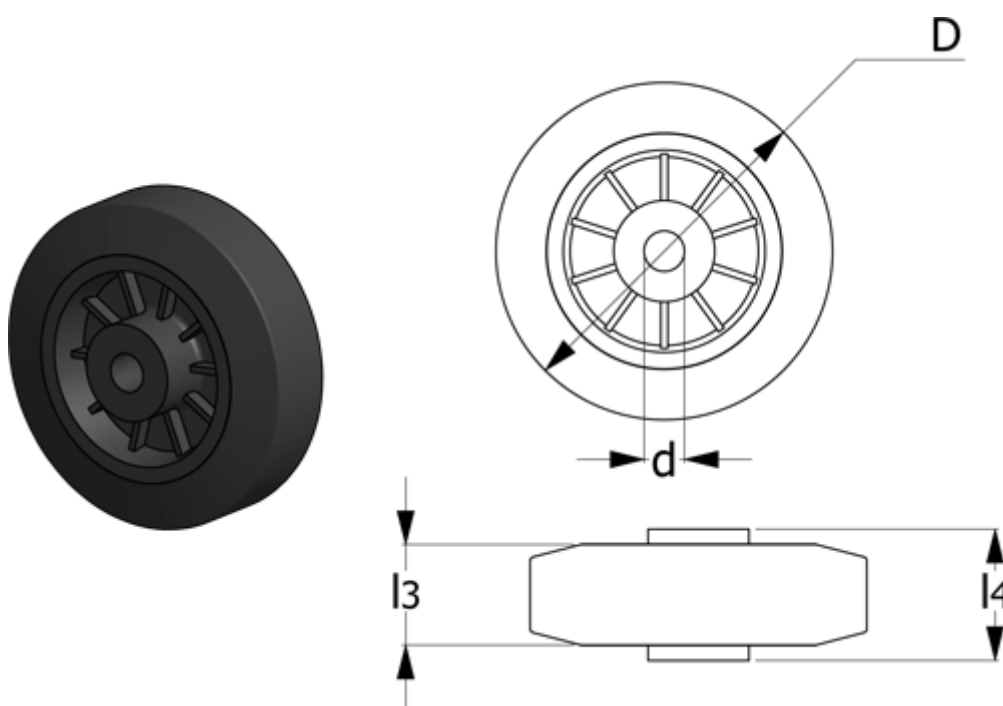


# Data Sheet



Article number: 2314449512  
Description: E+G rubber wheel 449512  
RE.E2-125-RBL loose wheel

## Measures



Code = 449512  
d = 15  
D = 125  
Dynamic load (N) = 1100  
g = 410  
l3 = 37,5  
l4 = 44  
Max static load (N) = 2250

Rolling resistance (N) = 850  
Type = RE.E2-125-RBL